

NEW 2012 - IP69K



Suitable models	LC3 PXXX
Housing Material	Thermoplastic PMMA (polymethyl methacrylate)
Mounting	SMO (orientable support brackets)
Output	Connectors M12
Protection Degree	IP69K
Resistance to the atmospheric agents	<ul style="list-style-type: none"> - Alkaline substances - weak acid - neutral soap - alcohol 60°
Not resistance to the chemical agents	<ul style="list-style-type: none"> - aliphatic hydrocarbon - hydrocarbon aromatic composit - gas oil

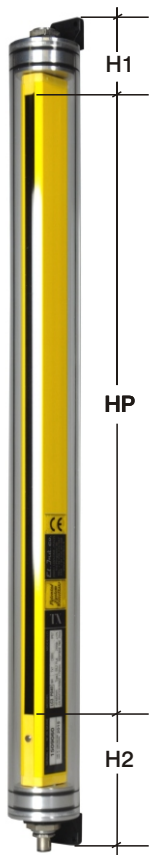
CERTIFICATO DI CONFORMITA' IP69K



No. AK 60042095 0001

TECHNICAL FEATURES TRANSPARENT CYLINDRIC BOX

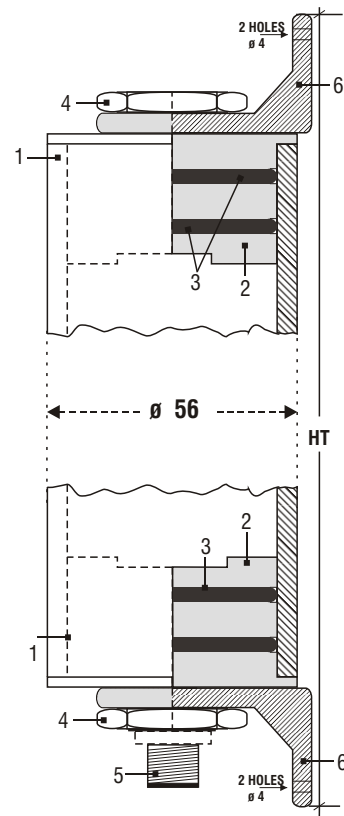
Breaking load (5mm/min)	73 MPa ISO/R 527
Bumps resistance (+23°C)	6 KJ/m2 ISO 179/1 e U
Elastic module at traction	3200 MPa DIN53547
Linear thermic dilatation	0,8 E-4/PC ASTM E831
Deformation to the heat	0,45 MPa ISO75



models LC3
 $HT = HP + H1 + H2$
 $H1 = 69 \text{ mm}$
 $H2 = 106 \text{ mm}$

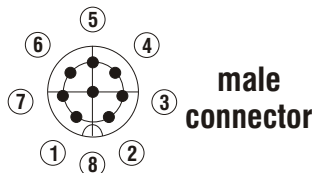
LEGEND

- 1 = Transparent thermoplastic I.R.
- 2 = Tin cap aluminium
- 3 = Elastomeric gasket in silicone rubber
- 4 = Hexagonal nut 1/2 inch x 4 mm INOX A2
- 5 = Plug M12
- 6 = Orientable bracket in polyamides reinforced in glass fiber

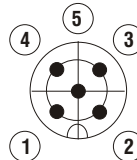


CONNESSIONI LC3 PXXX IN CB60 - IP69K

RX



male connector



male connector

TX

- 1) White = EDM / (SRS opzionale)
 - 2) Brown = + 24Vdc
 - 3) Green = SW1
 - 4) Yellow = SW2
 - 5) Grey =
 - 6) Pink =
 - 7) Blue = -
 - 8) Red = MODE
 - Shield =
- } CONTACTS IN ALARM STATE

- 1) Brown = + 24Vcc
- 2) White = TEST INPUT
- 3) Blue = -
- 4) Black = TEST INPUT
- 5) Grey = N.C.
- Shield =

TEST INPUT = Opening contact TEST INPUT (PIN2/4) is simulated the interruption of the curtain and testing the correct opening of the outputs SW1 - SW2 of the receiving unit

HOW TO ORDER

Product Code
CB60 - IP69K



Via Pergolesi 30 - 20851 LISSONE (MB) - www.elindco.it

MAY 2015